

Installation of 941B0168C Filler Neck Rings For use with Emco Wheaton POSI/LOCK Systems

There are numerous configurations of Emco Wheaton POSI/LOCK filler necks in use. Those most common may be configured with or without a cap. Figure 1 shows a POSI/LOCK filler neck with a cap and Figure 2 shows a POSI/LOCK filler neck without a cap. The 941B0168C Filler Neck Ring is required to make POSI/LOCK compatible with AIM2®. Installation of the 941B0168C Filler Neck Ring will differ with between a POSI/LOCK system with a cap, and a system without a cap. Following are procedures for installing the 941B0168C Filler Neck Ring on POSI/LOCK filler necks both with and without a cap.

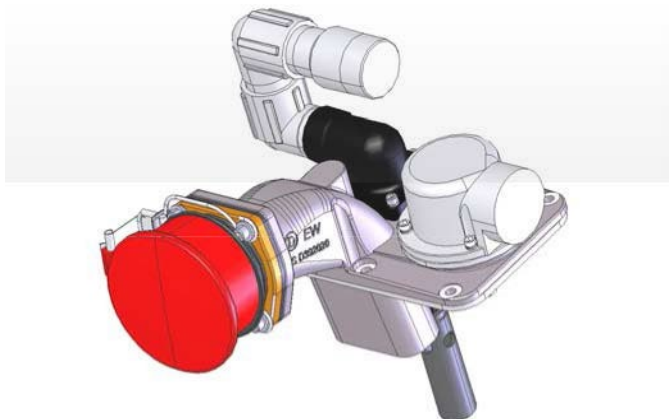


Figure 1. POSI/LOCK with a Cap

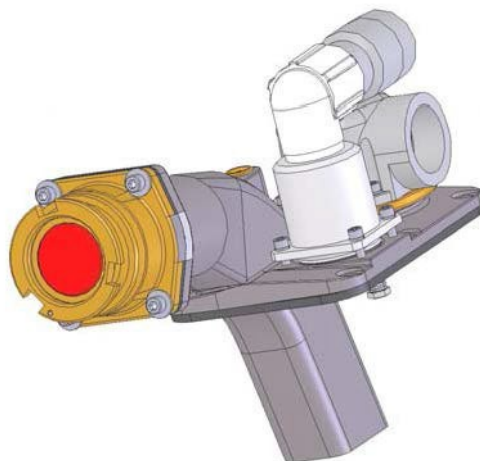


Figure 2. POSI/LOCK without a Cap

The 941B0476 Installation Kit supplies all the components needed to install a 941B0168C Filler Neck Ring on a vehicle equipped with an Emco Wheaton POSI/LOCK filler neck, with or without a cap. The 941B0476 Installation Kit consists of:

Syntech P/N	Vendor P/N	Description	QTY
941B0474		Plate, EW POSI/LOCK filler neck	1
941B0475		Gasket, EW POSI/LOCK, filler neck	2
941B0168-70		Filler Ring, 4 3/4 ID, Lipless	1
117749	PLT-1.5M-CP	Cable tie, 5.6 in	4

NOTE If there is no cap installed, the gasket seals in the POSI/LOCK system will not be disturbed/damaged during the Filler Neck Ring installation, and the two 941B0475 gaskets supplied with the kit will not be used.

Install the 941B0476 Installation Kit on POSI/LOCK Systems without a Cap

1. Remove the four screws and washers which attach the POSI/LOCK adapter to the POSI/LOCK filler neck housing (Figure 3).
2. Position the 941B0474 Plate, EW POSI/LOCK filler neck over the POSI/LOCK adapter and replace the four screws and washers.
3. Position the 941B0168C Filler Neck Ring and attach it to the 941B0474 plate with four 117749 cable ties.

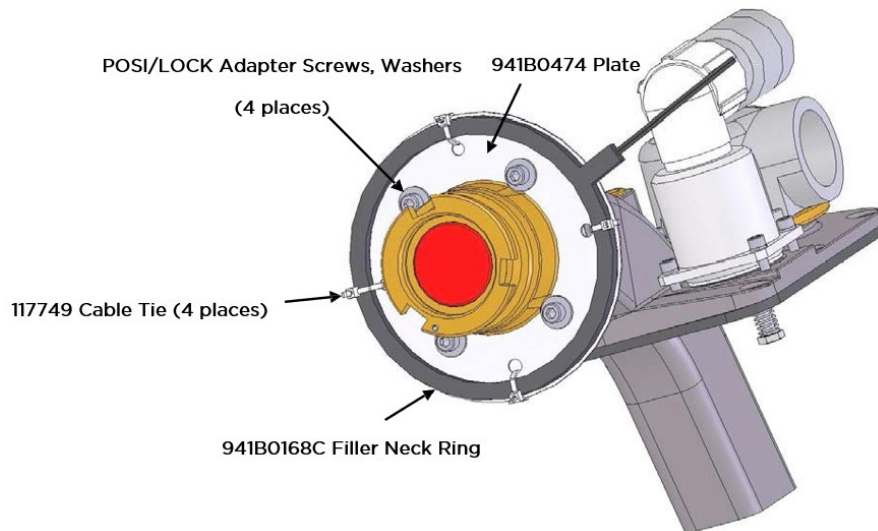


Figure 3. POSI/LOCK without a Cap with 941B0168C Filler Neck Ring Installed

NOTE When a Cap is present the seal between the Emco Wheaton adaptor and the body will be broken. Extreme care needs to be taken to ensure that the Emco Wheaton gaskets are not damaged.

Install the 941B0476 Installation Kit on POSI/LOCK Systems with Caps

1. Remove the four screws and washers which attach the POSI/LOCK adapter to the POSI/LOCK filler neck housing (Figure 4).
2. Detach the POSI/LOCK adapter from the body
3. Place a 941B0475 Gasket on each side of the 941B0474 Plate
4. Place the two 941B0474 Gaskets and the 941B0474 Plate between the POSI/LOCK body and adapter.
5. Reinstall the four screws and washers.
6. Place the 941B0168C Filler Neck Ring in position and attach it to the 941B0474 plate with four 117749 cable ties.

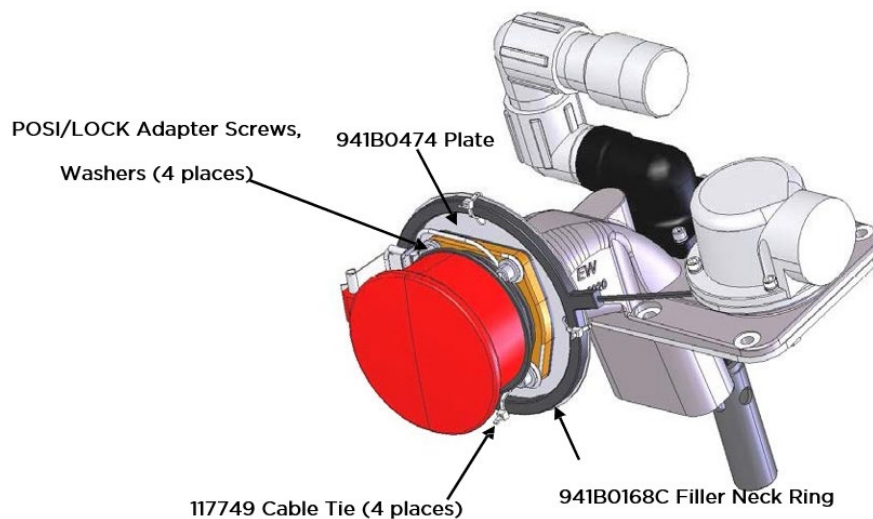


Figure 4. POSI/LOCK with a Cap with 941B0168C Filler Neck Ring Installed

TIP

If any questions arise, contact Syntech Systems, Inc.'s Customer Satisfaction Center (CSC) at 1-800-888-9136, ext. 2, or email support@myfuelmaster.com.